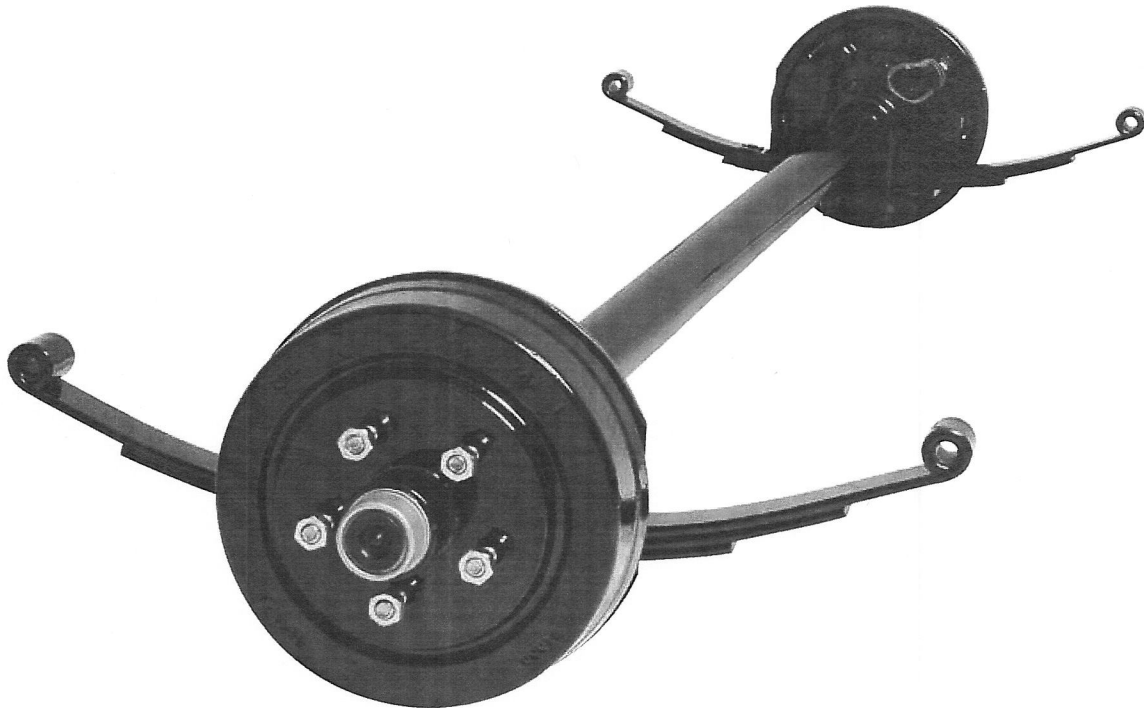


# OPERATION SERVICE MANUAL FOR



## AXLES



 **MADE  
IN  
USA**

## TABLE OF CONTENTS

<i>Safety Notice</i> . . . . .	1
<i>Brakes</i> . . . . .	1-2
<i>Electric Brake Maintenance.</i> . . . . .	3
<i>Trailer Connection</i> . . . . .	4
<i>Brake Trouble shooting.</i> . . . . .	5-6
<i>Electrical.</i> . . . . .	6-7
<i>Hubs, Drums and Bearings.</i> . . . . .	8-9
<i>Posi-Lube</i> . . . . .	10
<i>Suspension Systems</i> . . . . .	11-12
<i>Torsion Axles</i> . . . . .	13
<i>Tire and Wheel Safety</i> . . . . .	14-15
<i>Replacement Parts</i> . . . . .	16



## SAFETY NOTICE

Providing safe dependable operation of your axle(s) and related components is important. This manual provides basic procedures for service and repair using established industry standards. There are many variations in procedures to repair and maintain the axle and its related parts, however, it is not possible to provide you with all the detail for various service procedures. Refer to your trailer manufacturer's owners manual for any specific warnings and procedures that may relate to the safety and maintenance of your trailer. If these procedures are not clear to you or if you are unsure you should contact a trailer repair facility who has a trained axle repair technician for advice or repair.

### NEW AXLE SETUP AND ADJUSTMENTS

Wheels	Re-torque wheel nut torque requirements on new trailers at 50 miles. See page 16 for torque rates.
Brakes	Adjust at 3,000 miles.
Tire Pressure	See tire manufacturers recommendations.
Brake Controller Settings	Refer to Brake Controller manufacturers recommendations

## BRAKES

Your trailer electric brakes are actuated by an electric magnet which is modified by an electrical impulse from the brake controller. The trailer brakes will apply smoothly and slightly ahead of the truck brakes if all the brake components are installed and connected properly. The brakes are activated with the electrical impulse from the controller to the magnets which, when in contact with the armature plate

will apply the pressure to the primary shoe and will engage the secondary shoe much like hydraulic brakes on a passenger vehicle. As brake pressure (applied by the driver) is increased the electrical flow to the magnets increases the pressure between the brakes and drums to meet the braking requirements of the driver.

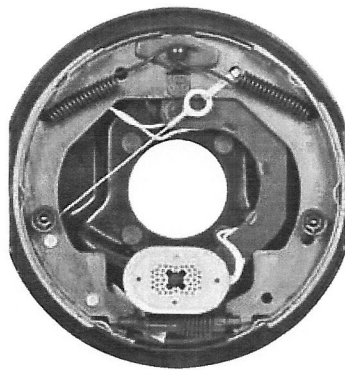


Electric brakes have been used on a variety of trailers for many years and offer many benefits to the driver. Please refer to the brake controller information provided by the installer of your towing vehicle for procedure and operation of the controller.

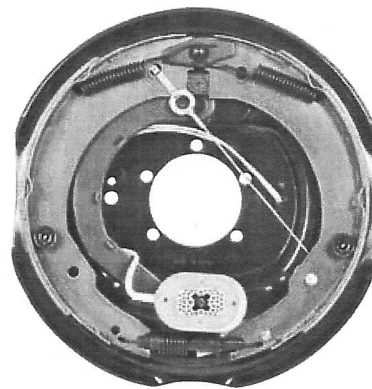
**DOUBLE CHECK!**

- Make sure your controller is installed according to the manufacturer's recommendations.
- Make sure that the proper brake controller adjustments have been made to correctly engage the tow vehicle brakes and the trailer brakes to work together to providing safe and comfortable braking.
- Make sure that the brakes have been properly seated by applying the brakes repeatedly and lightly for about 20 to 25 times at a low speed (under 25 miles per hour) to begin the "seating in" of the brake to the brake drum components. Do this in a safe and low traffic area for everyone's safety.

Below is a view of the 10" and 12" brakes used on your trailers axle(s), depending on your trailer and manufacturer's specifications.



**Right Hand 10" Electric Brake**



**Left Hand 12" Electric Brake**



## ELECTRIC BRAKE MAINTENANCE

Your trailer brakes should be adjusted between 250 to 300 miles after all of the brake components have seated. Since driving conditions and areas vary you should re-check brakes adjustments at a minimum of 3,000 miles.

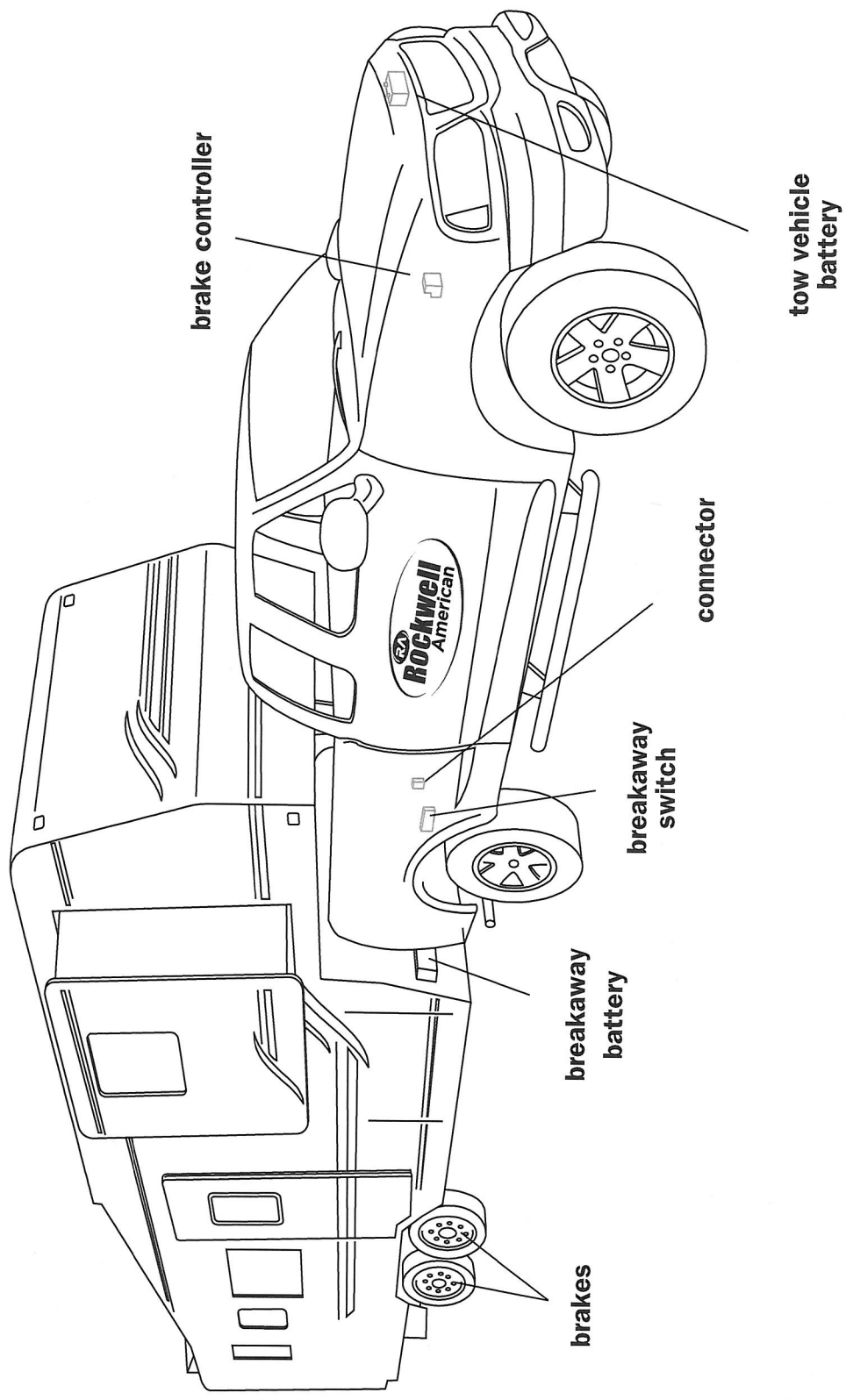
### CAUTION

**Do not place jack on axle or springs.  
Use jack stands to secure trailer.**

## ADJUSTMENT PROCEDURE

1. Make sure your trailer is on a level surface and is free of any potentially dangerous items.
2. Jack up the trailer and secure with jack stands. Make sure you are using the trailer manufacturer's procedure for jacking and safely supporting the trailer until the tire and wheel are clear of the ground surface.
3. Find the adjusting hole cover and remove it from the backing plate.
4. Use a brake adjusting tool to adjust the star wheel (of the adjuster) and expand the brakes until the brake shoes are sufficiently expanded so that the tire and wheel will not easily rotate.
5. Now move the star wheel in the opposite direction until you can feel a little resistance from the brake and replace the hole cover.
6. Carefully lower the tire to the ground.
7. Repeat this procedure for all wheels making sure to adjust all brakes at the same time.





## TROUBLESHOOTING GUIDE FOR ELECTRIC BRAKES

<b>Dragging Brakes</b>	<ul style="list-style-type: none"> <li>• Check for defective controller.</li> <li>• Check for corroded brake assembly.</li> <li>• Check for weak or broken brake shoe return spring.</li> <li>• Check for worn or damaged lever arm between magnet and brake shoe.</li> <li>• Check for improper controller installation.</li> </ul>
<b>Noisy Brakes</b>	<ul style="list-style-type: none"> <li>• Check brake adjustment.</li> <li>• Check for worn brake shoes.</li> <li>• Check for contaminated brake linings.</li> <li>• Check for weak or broken brake shoe return springs.</li> <li>• Check for bent backing plate.</li> <li>• Check wheel bearing adjustment.</li> <li>• Check for worn or damaged wheel bearings.</li> <li>• Check for worn or damaged magnets.</li> </ul>
<b>Inoperative Breakaway System</b>	<ul style="list-style-type: none"> <li>• Check for dead or weak 12-volt battery, on trailer.</li> <li>• Check all wiring and connections.</li> <li>• Check breakaway switch.</li> <li>• If only one brake is operating, check other magnets.</li> </ul>
<b>No Brakes</b>	<ul style="list-style-type: none"> <li>• Check for defective circuit breaker.</li> <li>• Check for open or shorted circuit.</li> <li>• Check for properly wired system including a good ground between towing vehicle and trailer.</li> <li>• Check brake adjustment.</li> <li>• Check for worn or defective magnet(s).</li> <li>• Check for a damaged or worn connector between towing vehicle/trailer.</li> <li>• Check that controller is installed correctly and functioning correctly.</li> </ul>
<b>Intermittent or Surging Brakes</b>	<ul style="list-style-type: none"> <li>• Check for out-of-round brake drums.</li> <li>• Check for properly wired system, including a good ground between towing vehicle and trailer</li> <li>• Check for defective magnet or wiring.</li> <li>• Check for loose/worn wheel bearings.</li> </ul>



## TROUBLESHOOTING GUIDE FOR ELECTRIC BRAKES

### Ineffective or Weak Brakes

- Ensure trailer is not overloaded.
- Check for loose or corroded connections.
- Check for properly wired system.
- Check for a shorted circuit.
- Check for worn or defective magnet.
- Check brake adjustment.
- Check for bent backing plate flange.
- Check for contaminated brake linings.
- Check brake system wiring.
- Check for worn, damaged brake linings.
- Check for weak or broken brake shoe return spring.
- Check for worn brake drums.
- Check that correct controller is installed.
- Check for improper controller installation.

### Grabbing or Locking Brakes

- Check for contaminated brake linings.
- Check for weak or broken brake shoe return spring.
- Check for rust on armature plate or brake drum.
- Check for improper controller installation.

## ELECTRICAL

### VOLTAGE MEASUREMENT PROCEDURE

To measure voltage, connect the voltmeter to both magnet wire leads while the towing vehicle is connected and the engine is running to insure accurate readings. The voltage should begin at 0 as the controller is increased slowly to approximately 12 volts. If the controller does not produce this voltage control refer to your brake controller trouble shooting and information manual. The lower reading will provide smoother braking while the higher may produce sharp or severe braking.

### AMPERAGE MEASUREMENT PROCEDURE

Amperage is the electrical current flowing in the brake system while the magnets are energized. Make sure of your ammeter's rating to prevent damage to meter. An easy place to check the amperage is at the output wire from the brake controller to the brakes. Disconnect this (blue) wire and put the ammeter in series into this line. Please refer to the following chart.





Individual amperage draw can be measured at the magnet by inserting the ammeter in the line of the magnet you wish to check. Disconnect one of the wire leads from the wire magnet and attach the ammeter between the two wires. Reconnect the wires when completed.

BRAKE SIZE	AMPS TO MAGNET	2 BRAKES	4 BRAKES	6 BRAKES
7 x 1-1/4	2.5	5.0	10.0	15.0
10 x 2-1/4	3.0	6.0	12.0	18.0
12 x 2	3.0	6.0	12.0	18.0
12 x 3-1/2	3.0	6.0	12.0	18.0

There are several possible reasons that may cause voltage variations. Listed below are the most probable.

- Poor electrical connections.
- Open circuits
- Broken wires or incorrect wire size.
- Brake controller malfunction.
- Electrical problems can also be caused by bare wires, defective con-trollers or shorts in the magnet coil.

Locating the source of a short circuit should be done by checking individual sections. Should you find the amperage reading drops to zero after disconnecting the trailer, then the short is in the trailer. If the amperage is higher after all of the magnets are disconnected, the short is somewhere in the trailer wiring.

Please note that the majority of electrical brake complaints can be traced to the controller. Refer to your brake controller manual to insure your controller is correctly adjusted and that the connections are in compliance with the manufacturer's specifications.



## HUBS, DRUMS AND BEARINGS

Rockwell American bearing configuration uses industry standards for bearing sets (bearings & cones) and hubs. This standard of using tapered roller bearings helps to reduce the axial end play provided at assembly and is essential to performance of the bearings life. The bearings are packed with lithium base grease.

Your axles may be equipped with the Rockwell American Posi-lube system which provides for lubricating the hubs at a special grease fitting. This option allows grease to flow through specially machined axle spindles, which have been drilled to allow the grease to be passed from the fitting to the inner bearing and back out through the outer bearing.

### BRAKE DRUM INSPECTION

The brake drum surface should be inspected for scoring or excessive wear. If the wear is greater than .020" oversized it should be resurfaced. If the drum has worn out of round by more than .015" it should be re-machined. If wear or scoring is more than .090." the hub and drum assembly will have to be replaced.

The armature surface (which contacts the magnet) needs to be inspected for uneven wear or scoring. Drums can be resurfaced removing no more than .030" and should be to 120 micro inch finish. In the event you need to turn the drums or resurface the armature it is recommended that you replace the magnets at the same time.

#### ***Special notes***

- Make sure the inside of the hub cavity is carefully cleaned and free of any contamination following turning and before re-assembly.



## **HUB INSPECTION REMOVAL, REPLACEMENT AND ADJUSTMENTS**

### ***A. Removal of Hub***

1. Remove wheel
2. Remove grease cap
3. Remove cotter pin or bend tang washer on Posi-Lube
4. Unscrew the spindle nut counter clockwise
5. Remove spindle washer
6. Remove hub from spindle

### ***B. Seal Inspection and Replacement***

1. Seals should be replaced each time the hub is removed.
2. Pry the seal out of the hub with a screwdriver.
3. Tap new seal into place.

### ***C. Bearing Maintenance, Adjustments, and Replacement***

1. Inspect for corrosion and wear.
2. If any rust or wear exists on the bearing then remove and replace.
3. If bearings are found to be in good condition, then cleaning and repacking the grease is all that is needed.  
Note: Do not spin bearings with compressed air.
4. Hand pack each bearing individually using a premium lithium base wheel bearing grease.
5. Reinstall the hub, reversing the procedure above using the bearing adjustment procedures below.
6. If you have the Posi-Lube system refer to the "Posi-Lube Lubrication Procedure".

### ***D. Bearing Adjustment***

#### **1. Feel and Drag Method**

Tighten slotted nut until hub drags slightly when rotated. (Rotating the hub while tightening the nut seats the bearing.) Loosen the slotted nut 1/6 turn (1 hex) to align nut slot with the cotter pin hole. Wheel should turn freely. Insert new cotter pin through nut and spindle. If necessary loosen, never tighten, nut to align slot with the hole in the spindle. Bend one leg of cotter pin over the end of the spindle and the other leg over the nut. Tap legs slightly to set. Cotter pin must be tight. If equipped with Posi-Lube, bend tang back into position.



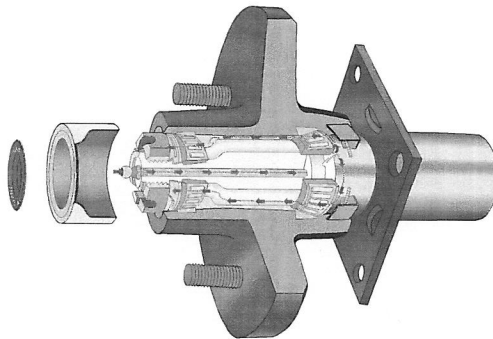
## 2. Torque Wrench Method

Make sure nut is loose. Tighten nut with torque wrench to an initial torque of 50 ft. lbs. Loosen nut from initial torque and finger tighten. Insert new cotter pin through nut and spindle. If equipped with Posi-Lube, reset tang. If necessary loosen, never tighten, nut to align slot with the hole in the spindle. Bend one leg of cotter pin over the end of the spindle and the other leg over the nut. Tap legs slightly to set. Cotter pin must be tight.

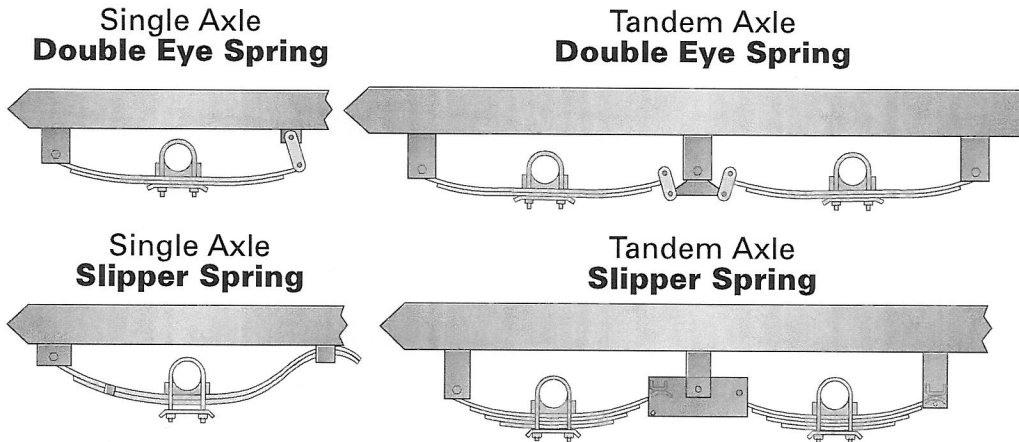
# POSI-LUBE LUBRICATION PROCEDURE

## Posi-Lube Lubrication Procedure

1. Remove the rubber cap at end of the grease cap.
2. Using a standard grease gun place the tip onto the grease fitting at the end of the spindle.
3. Pump the grease into the fitting as you continue pressure you will notice the old grease coming out at the cap. When you begin to see the new grease, remove the gun and clean off any excess and replace the rubber cap.



## ROCKWELL AMERICAN SUSPENSION SYSTEMS



We also provide your suspension systems as well as the axle assemblies. These components are designed to perform a number of tasks to provide your trailer with the best and smoothest towing possible. The above drawings offer a view of single and tandem axle assemblies in both the double eyed and slipper spring versions.

Your axle undercarriage may be equipped with double eye leaf springs or slipper leaf springs depending on the manufacturer's specification.

Double eye leaf springs have eyes at both ends of the spring and have special bushings to protect them from wear. They do not need lubricating.

Slipper leaf springs have an eye at only one end which is also fitted with a special bushing to protect them from wear. The trailing end of the spring is designed to slide against the rear hangers.

Either of these suspensions will provide you with comfortable trouble free towing, but as with any mechanical parts, they should be inspected periodically depending on usage at recommended intervals of 6 months or 5,000 miles whichever comes first.

Should you find excessive wear in the hanger components you should have them replaced by a qualified technician. Should you find excess wear, in any of the attaching parts bolts, nuts, bushings, broken or worn out springs, you should replace them and torque attaching bolts to the following standards as shown below.

**CAUTION**  
 Make sure the trailer is raised and supported according to the manufacturers requirements before beginning any repairs of the trailer.

### SUSPENSION TORQUE REQUIREMENTS

U-Bolt	Torque
3/8"	30-50 ft. lbs.
7/16"	45-70 ft. lbs.
1/2"	45-70 ft. lbs.
9/16"	60-85 ft. lbs.
Shackle Bolt	Torque
7/16"	45-70 ft. lbs.
9/16"	not torqued; snug fit to allow parts to move easily. The lock nut is used to position parts.

**USE CAUTION**  
 If the above maintenance procedures are not applied, there could be serious damage to the components possibly resulting in physical injury and or damage to property.

To perform undercarriage modifications please carefully follow the recommendations as follows:

1. Raise and support the trailer until it is clear of the ground.
2. When the trailer is securely supported place a block under the axle close to the end which will be repaired. You need to secure only the axle tube in order to remove and replace the part you want to replace. If your trailer has two axles you will need to support both axle tubes.
3. Disassemble the attaching parts (u-bolts, nuts, and the links).
4. Remove the eye bolts and the springs and place them clear of your working area.
5. If needed remove the spring bushings and replace with new ones.
6. Use the reverse order to reinstall your components.

**Special note:** The fittings that attach the springs to the chassis mounts are designed specially to be wear resistant and should not be lubricated.





## THE EQUALIZER TORSION AXLE

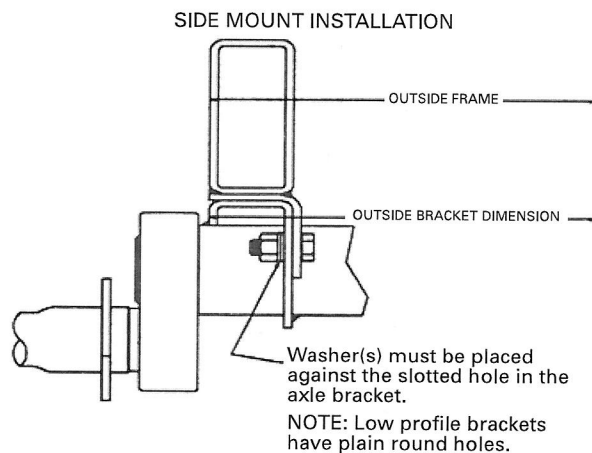
Your trailer may be equipped with our Equalizer axle(s). The Trailer manufacturer specifies their use according to individual engineering requirements.

Each spindle is attached to a trailing arm which rocks up and down during road shock. This movement is transferred to a steel inner bar within the axle beam. Rubber cords then absorb the shock from the twisting inner bar.

### THE BENEFITS

#### Superior Performance

The independent action provides greater control and stability which makes towing the trailer much easier. Wheel vibration is absorbed by the rubber cords.



Side mount hangers should be welded to frame with three (3) 1/4" fillet welds, 2 1/2" long on each side of the hanger and a fillet weld on each end. Welds should meet the quality standards of the American Welding Society, D1.1, Structural Welding Code.

## WHEEL AND TIRE SAFETY

Your trailer manufacturer has specified the wheel and tires to be used. It is very important that you do not make any changes that may alter the recommended size or load capacities. Any deviations, however slight or unnoticeable, may cause damage or be dangerous to operate.

### TIGHTENING PROCEDURE

1. After mounting a wheel over the studs, start all lug nuts by hand to prevent cross threading.
2. After all the lug nuts have been snugged, tighten the nuts to the recommended torques using the sequence and progressive values provided on page 16.

**Re-torque after first 50 miles of use, and periodically re-check the torque.**

### TORQUE REQUIREMENTS

It is a necessary procedure to periodically check the torque levels of your wheel lug nuts. They must be maintained at the appropriate torque recommendations to prevent loose wheels, potentially broken studs and to prevent the wheel from separating from the axle.

### TIRE PRESSURE

Tire pressure should be checked frequently, and inflated to the tire manufacturer's recommendations.

#### CAUTION

**Wheel torque must be maintained to insure that damage is not incurred to the wheel, wheel studs and or attaching parts.**



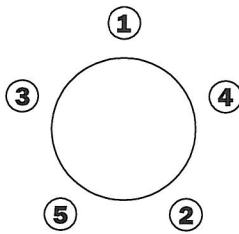


**REQUIRED WHEEL TORQUES (ft - lbs)**

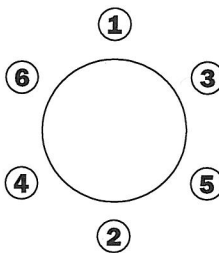
	1st Setting	2nd Setting	Final Setting
8-12-13" Wheel	20 — 25	35 — 40	50 — 75
14-15-16" Wheel	20 — 25	50 — 60	90 — 120
16" Wheel 9/16" studs	20 — 25	70 — 80	130 — 150

**BOLT TIGHTENING SEQUENCE**

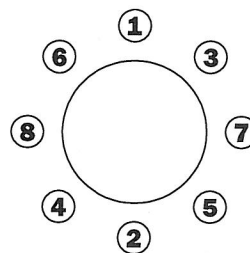
**5 Hole Pattern**



**6 Hole Pattern**



**8 Hole Pattern**



**WARNING**  
 Modifications of the tire & wheel assembly can result in damage to the trailer or personal injury if not used according to the manufacturer's specifications.

## REPLACEMENT PARTS

### MAGNET REPLACEMENT KITS

BRAKE SIZE	MAGNET KIT NUMBER	WIRE COLOR	BRAKE MTG. NUT TORQUE (FT-LBS)
7 x 1 1/4	K71-57	White	45-70
10 x 2 1/4	PPBM10E	Green	45-70
12 x 2	PPBM12E	White	25-50
12 x 3 1/2	4738-23	Orange	60-90

### BRAKE SHOE REPLACEMENT KITS

BRAKE SIZE	SINGLE KIT (1 BRAKE)
7 x 1 1/4	K71-45
10 x 2 1/4	PPDSL10E
12 x 2	PPBSL12E
12 x 3 1/2	right side 4737-3, left side 4737-4

### BEARING REPLACEMENT CUPS & CONES

BRAKE SIZE	HUB	CUP	CONE
7 x 1 1/4	4 or 5 Bolt	L-44610 Inner and Outer	L-44649 Inner and Outer
10 x 2 1/4	5 or 6 Bolt	L-68111 Inner and L-44610 Outer	L-68149 Inner and L-44649 Outer
12 x 2	6 Bolt	25520 Inner and 15245 Outer	25580 Inner and 15123 Outer
12 x 2	8 Bolt	25520 Inner and 14276 Outer	25580 Inner and 14125A Outer
12 x 3 1/2	8 Bolt	25520 Inner and 02420 Outer	25580 Inner and 02475 Outer

### SEAL REPLACEMENT

BRAKE SIZE	HUB	SEAL
7 x 1 1/4"	4 or 5 Bolt	12192TB
10 x 2 1/4"	5 or 6 Bolt	171255TB
12 x 2"	6 or 8 Bolt	22333TBN
12 x 3 1/2"	8 Bolt	22333TBN Grease 370219A Oil



# Rockwell American Trailer Products LIMITED WARRANTY

Rockwell American extends to the original purchaser only, a limited warranty on each Rockwell American tubular axle(s) against defects in material or workmanship for a period of two (2) years from date of purchase.

Rockwell American extends to the original purchaser only, a limited warranty on each Rockwell American Equalizer Torsion Axle(s) against defects in material or workmanship for a period of five (5) years from date of purchase.

1. To obtain warranty service, please call or send the following information to the address listed on the back.

- A. Name and mailing address of purchaser.
  - B. Proof of date of purchase.
  - C. Name of manufacturer of unit under which axle is mounted.
  - D. Model, year and serial number of unit.
  - E. Name and address of dealer from whom unit was purchased.
2. This warranty does not extend to:
- A. The connecting of brake wiring to the trailer wiring or trailer wiring to the towing vehicle wiring.

- B. The attachment of the axles to the frame.
  - C. Hub imbalance, or any damage caused thereby.
  - D. Parts not supplied by Rockwell American.
  - E. Any damage whatever if caused by or related to any alteration of the axle.
  - F. Use of axle assembly on unit other than that to which it was originally mounted.
  - G. Normal wear including brake linings and magnets.
3. This warranty does not cover defects caused by:
- A. Improper installation.
  - B. Damage (not resulting from defect or malfunction) while in the possession of the customer.
  - C. Unreasonable use (including failure to provide reasonable and necessary maintenance).
4. Repair or replacement under this warranty is the exclusive remedy for the customer. Rockwell American shall not be liable for any incidental or consequential damages, including any towing fees, hotel bills, telephone calls and meals for breach of any express or implied warranty on the axles.



**FOR ASSISTANCE, CONTACT OUR WARRANTY DEPARTMENT**

**ROCKWALL AMERICAN**  
1012 Industrial Drive  
Royse City, TX 75189  
(800)334-6355



**A leading manufacturer and distributor of trailer parts and accessories.**



## ROCKWELL AMERICAN SELLING LOCATIONS

### ALABAMA

960 Old Grants Mill Rd  
Irondale, AL 35210  
Phone: (205) 951-2006  
Phone: (800) 874-4292  
Fax: (800) 655-2944

*birmingham@rockwellamerican.com*

### ARIZONA

2930 W. Osborn Road  
Phoenix, AZ 85017  
Phone: (602) 271-0031  
Phone: (888) 999-8233  
Fax: (602) 271-0148

*phoenix@rockwellamerican.com*

### CALIFORNIA

2888 South Orange Avenue  
Fresno, CA 93725  
Phone: (559) 237-7467  
Phone: (800) 742-6203  
Fax: (559) 237-1913

*fresno@rockwellamerican.com*

### CALIFORNIA

3701 Parkway Place  
W. Sacramento, CA 95691  
Phone: (916) 371-6792  
Phone: (800) 321-6362  
Fax: (916) 371-0228

*sacramento@rockwellamerican.com*

### COLORADO

14600 E. 35th Place Unit F  
Aurora, CO 80011  
Phone: (303) 307-4700  
Phone: (800) 307-5944  
Fax: (303) 307-4774

*aurora@rockwellamerican.com*

### FLORIDA

3804 Sydney Rd.  
Plant City, FL 33566  
Phone: (800) 289-2953  
Phone: (813) 659-2948  
Fax: (813) 659-9847

*plantcity@rockwellamerican.com*

### INDIANA

1304 Wohlert Street  
Angola, IN 46703  
Phone 260-665-3748  
Phone 877-730-3748  
Fax 877-730-3748

*angola@rockwellamerican.com*

### MINNESOTA

208 7th Street SW Box 235  
Freeport MN 56331  
Phone: (320) 836-2550  
Phone (888) 325-1485  
Fax (320) 836-9550

*freeport@rockwellamerican.com*

### MISSOURI

519 Duck Road  
Grandview, MO 64030  
Phone: (866) 724-9950  
Fax: (866) 724-9956

*kansascity@rockwellamerican.com*

### OKLAHOMA

1801 Ray Davis Blvd.  
Seminole, Oklahoma 74868  
Phone: (866)724-9950  
FAX: (866)724-9956

*seminole@rockwellamerican.com*

### OREGON

27180 S.W. 95th Ave. Suite 3320  
Wilsonville, OR 97070  
Phone: (503) 682-0510  
Phone: (800) 914-9116  
Fax: (503) 682-0520

*wilsonville@rockwellamerican.com*

### PENNSYLVANIA

170 Commerce Dr  
New Holland, PA 17557  
Phone: (717) 354-7070  
Phone: (800) 497-0986  
Fax: (717) 354-7076

*newholland@rockwellamerican.com*

### SOUTH CAROLINA

Hwy 76 (Palmetto Indust. Park)  
Timmonsville, SC 29161  
Phone: (843) 346-4827  
Phone: (800) 238-3903  
Fax: (813) 659-9847  
Fax: (800) 207-4770

*florence@rockwellamerican.com*

### TEXAS

604 W. Main Street  
Azle, TX. 76020  
Phone: (817) 444-1341  
Phone: (800) 242-4882  
Fax: (817) 444-4849  
Fax: (800) 889-1435

*azle@rockwellamerican.com*

### TEXAS

609 East 16th  
Mt. Pleasant, TX 75455  
Phone: (903) 572-7932  
Phone: (800) 635-1354  
Fax: (903) 572-7268  
Fax (800) 301-7943

*mtpleasant@rockwellamerican.com*

### TEXAS

5014 Callahan Rd.  
San Antonio, TX 78228  
Phone: (210) 431-0166  
Phone: (800) 854-8058  
Fax: (210) 431-0188  
Fax: (800) 343-1895

*sanantonio@rockwellamerican.com*

*Warranty  
Service  
Provided  
Through Our  
Nationwide  
Distribution  
Locations*

**Contact Your Local Rockwell American Branch  
For More Information  
Or visit us online:**

**[www.rockwellamerican.com](http://www.rockwellamerican.com)**

# Rockwell American Products Manufacturing & Home Offices

## AXLE MFG PLANT

1012 Industrial Drive  
Royse City, TX 75189

Phone: (972) 635-2464 • Phone: (800) 334-6355

Fax: (972) 635-2049

*axle@rockwellamerican.com*

## FENDER MFG PLANT

633 NW Parkway  
Azle, TX 76020

Phone: (817) 444-1161

Fax: (888) 669-4965

*fender@rockwellamerican.com*

## MFG PLANT

3804 Sydney Road  
Plant City, FL 33567

Phone: (813) 659-2948

Phone: (800) 289-2953

Fax: (813) 659-9847

*plantcity@rockwellamerican.com*

## SPRING MFG PLANT

306 West Simonds Road

Seagoville, TX 75159

Phone: (972) 287-7600

Phone: (800) 400-3267

Fax: (972) 287-7633

*seagoville@rockwellamerican.com*

## CORPORATE HEADQUARTERS

604 West Main • Azle, TX 76020

Phone: (800) 243-4883 • (817) 444-4518

Fax: (800) 243-5549 • Fax: (817) 444-4849

*support@rockwellamerican.com*

## Rockwell American Branch Offices

**Birmingham, AL**

Ph: (800) 874-4292

**Angola, IN**

Ph: (877) 730-3748

**Florence, SC**

Phone: (800) 238-3903

**Phoenix, Arizona**

Ph: (888) 999-8233

**Freeport, Minnesota**

Ph: (888) 325-1485

**Azle, Texas**

Ph: (800) 242-4882

**Fresno, California**

Ph: (800) 742-6203

**Kansas City, Missouri**

Ph: (866) 724-9950

**Mount Pleasant, Texas**

Ph: (800) 635-1354

**Sacramento, California**

Ph: (800) 321-6362

**Seminole, Oklahoma**

Ph: (866) 724-9950

**San Antonio, Texas**

Ph: (800) 854-8058

**Aurora, Colorado**

Ph: (800) 307-5944

**Wilsonville, Oregon**

Ph: (800) 914-9116

**Plant City, FL**

Ph: (800) 289-2953

**New Holland, PA**

Ph: (800) 497-0986



**A leading manufacturer and distributor of trailer parts and accessories.**